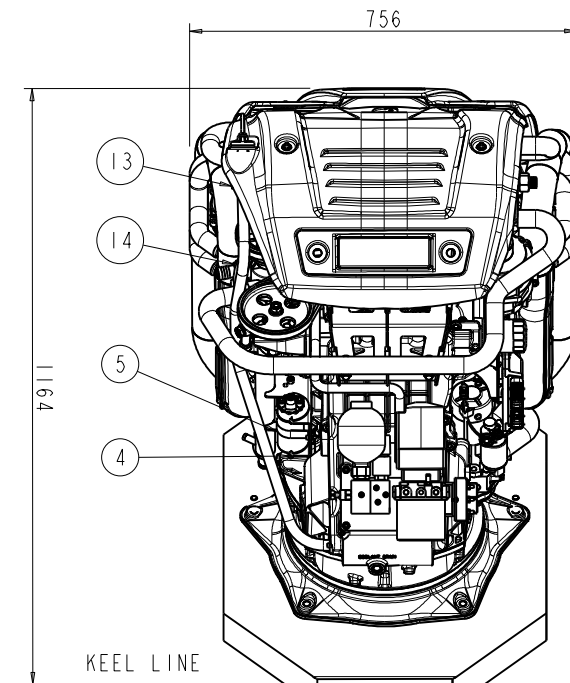
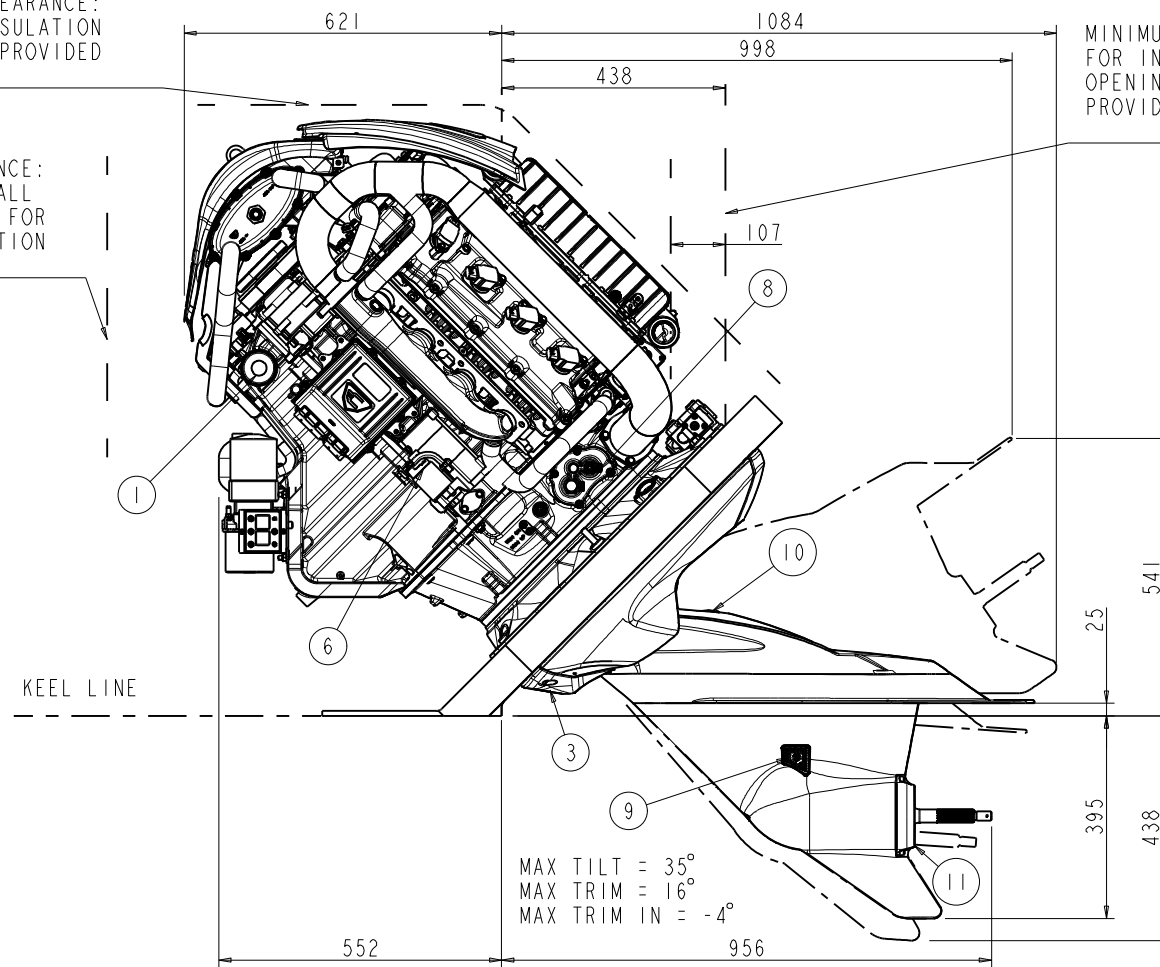


MINIMUM HEIGHT CLEARANCE:  
CLEARANCE TO ENGINE HATCH INSULATION  
OF AT LEAST 30mm SHOULD BE PROVIDED

MINIMUM FORWARD CLEARANCE:  
CLEARANCE TO FORWARD BULKHEAD OR FIREWALL  
OF AT LEAST 150mm SHOULD BE PROVIDED FOR  
EASE OF INSTALLATION

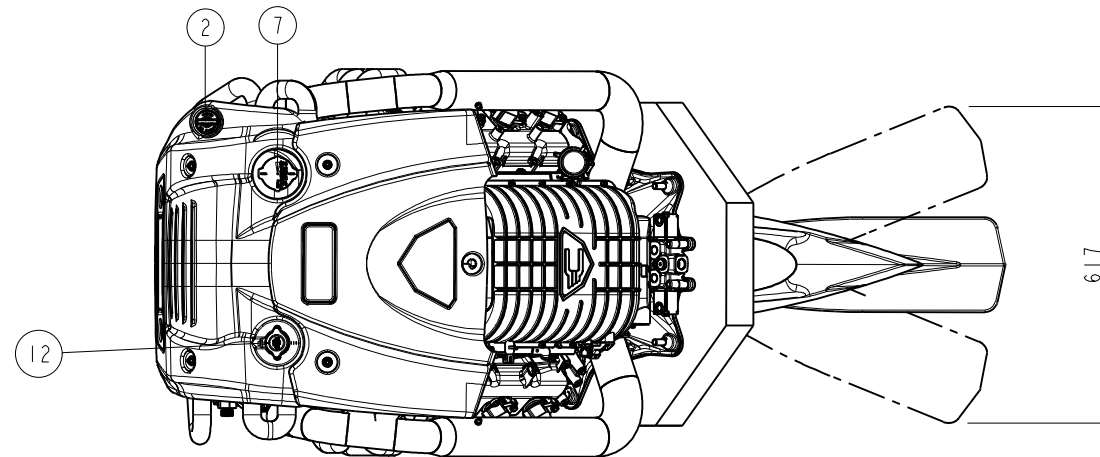
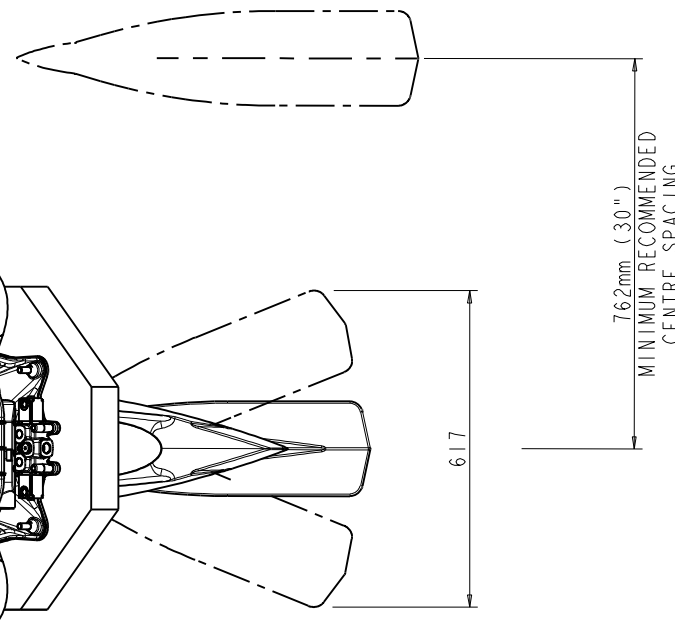
MINIMUM AFT CLEARANCE:  
FOR INSTALLATION A MINIMUM  
OPENING OF 438mm MUST BE  
PROVIDED AFT OF KEEL LINE END



Ø 406 (16") MAX

SERVICE ITEMS	
1	ENGINE OIL FILTER
2	ENGINE OIL FILL & DIPSTICK
3	EXTERNAL OIL DRAIN
4	FUEL CONNECTION
5	FUEL PUMP
6	STARTER MOTOR
7	POWER STEERING FLUID FILL
8	STEERING HELM CONNECTION
9	RAW WATER INTAKE STRAINER
10	DRIVE OIL FILL & DIPSTICK
11	DRIVE OIL DRAIN
12	COOLANT FILL
13	RAW WATER FLUSH
14	RAW WATER PUMP

MAX TILT = 35°  
MAX TRIM = 16°  
MAX TRIM IN = -4°



**NOTES:**

1. DIMENSIONS ARE IN MILLIMETER (mm)
2. -
3. -
4. -
5. -
6. -

**GENERAL NOTES:**

1. ALL DIMENSIONS ARE IN mm UNLESS OTHERWISE STATED.
2. REMOVE ALL BURRS AND SHARP EDGES.
3. DRAWN ACCORDING TO CODE OF PRACTICE SABS 0111.
4. GEOMETRIC TOLERANCES ACCORDING TO BS 308, Part 3.
5. WELDING SYMBOLS ACCORDING TO SABS 044.
6. LIMITS APPLY AFTER PLATING.
7. GENERAL FINISH  $\nabla$  UNLESS OTHERWISE STATED.

**HOLE TOLERANCE UNLESS OTHERWISE STATED**

UP TO Ø5	±0.1
Ø5 TO Ø20	±0.20
ABOVE Ø20	±0.25

**GENERAL TOLERANCE UNLESS OTHERWISE STATED**

NO DECIMAL	± 0.5
0.0	± 0.1
0.00	± 0.05
0.000	± 0.02
ANGULAR	± 30'

MASS: 400 kg
882 lb



1st ANGLE PROJECTION:

DO NOT SCALE

SHEET: 1 OF 1

TITLE:

450 sci SERIES GASOLINE AXIS DRIVE

**AO**